

Data sheet

Modbus
AWD3

Energy meter with integrated Serial Modbus interface

Controls Division

Energy meters with an integrated Serial RS485 Modbus interface allow direct reading of all relevant data, such as energy (Total and partial), current and voltage for every phase and active and reactive power for every phase and for the three phases.

Main features:

- 3-phase energy meter, 3 × 230 / 400 VAC 50 Hz
- Measurement through a current transformer up to 1500 A
- Display of active power, voltage and current for every phase
- Display of active power for all phases
- Modbus RTU Interface to query the data
- Reactive power for every and/or all Phases available through interface
- Up to 247 meters can be connected to the Modbus Interface
- 7-digits display
- Lead seal possible with cap as accessory
- Accuracy class B according to EN50470-3, accuracy class 1 according to IEC62053-21

Order Number

Standard Version: AWD3D5WD00C2A00
MID Version: AWD3D5WD00C3A00

Technical data

Precision class	B according to EN50470-3, class 1 according to IEC62053-21
Operating voltage	3 × 230 / 400 VAC, 50 Hz Tolerance -20% / +15%
Power consumption	Active 0.4 W per phase
Counting range	00'000'00 ...99'999'99 1'000'000 ...9'999'999
Display	LCD backlit, digits 6 mm high
Display without mains power	Capacitor based LCD max. 2 times over 10 days

Mounting

Mounting	On 35 mm rail, according to EN60715TH35
Terminal connections main circuit	Conductor cross-section 1.5–16 mm ² , screwdriver Pozidrive no. 1, slot no.2, torque 1.5–2 Nm
Terminal connections control circuit	Conductor cross-section max. 2.5 mm ² , screwdriver Pozidrive no. 0, slot no.2, torque 0.8 Nm
Insulation characteristics	4 kV / 50 Hz test according to VDE0435 for energy meters 6 kV 1.2 / 50 μs Surge according to IEC255-4 2 kV / 50 Hz test according to VDE0435 for interface Device protection class II
Ambient temperature	-25°...+55 °C
Storage temperature	-30°...+85 °C
Relative humidity	95 % at 25°...+40 °C, without condensation
EMC/interference immunity	Surge according to IEC61000-4-5: on main circuit 4 kV, at Modbus 1 kV Burst according to IEC61000-4-4: at main circuit 4 kV, at Modbus interface 1 kV ESD according to IEC61000-4-2: Contact 8 kV, air 15 kV

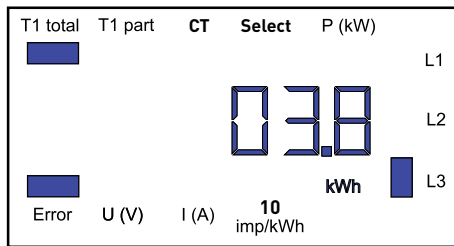
CT measurement

Reference/max. current	5...1500 A I _{ref} = 5 A, I _{max} = 6 A			
Starting/minimum current	I _{st} = 10 mA, I _{min} = 0.05 A			
Converter ratio	5:5	50:5	100:5	150:5
	200:5	250:5	300:5	400:5
	500:5	600:5	750:5	1000:5
	1250:5	1500:5		
Pulses per kWh	Standard Version: LCD Display MID Version: LED		10 Imp/kWh 10 Imp/kWh	

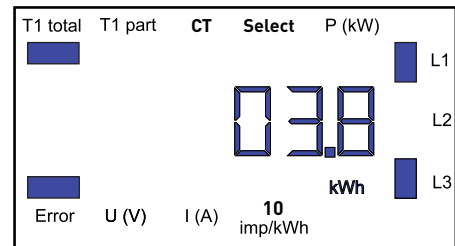


Error indication

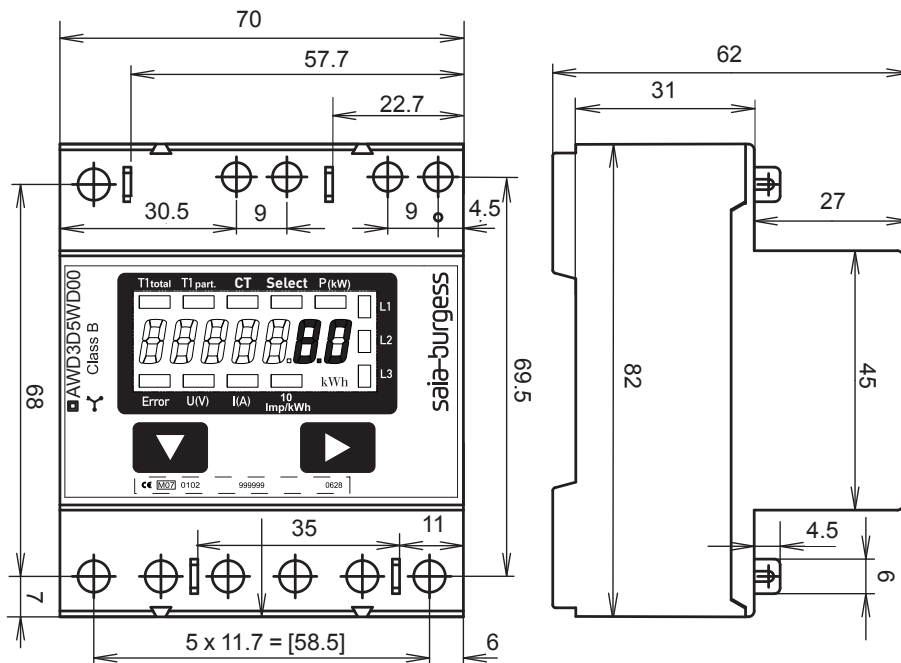
Example: connection error at L3



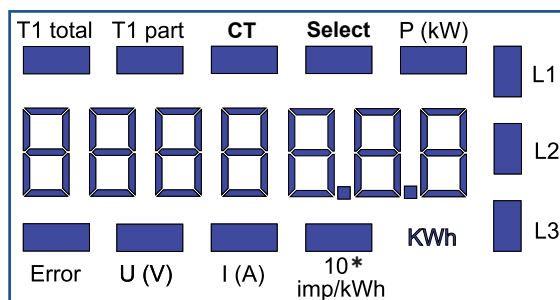
Example: connection error at L1 and L3



Dimensioned drawings



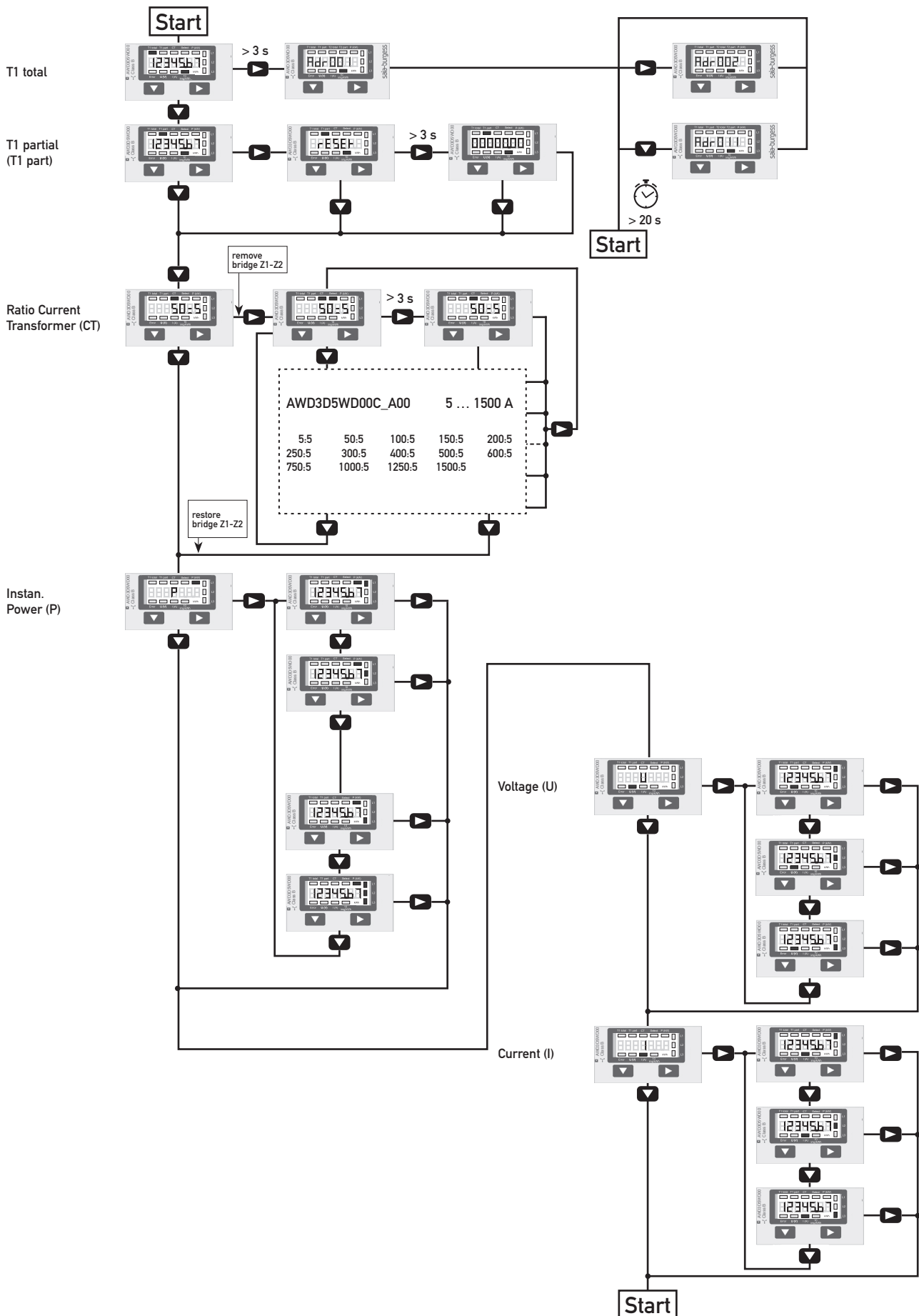
Display elements



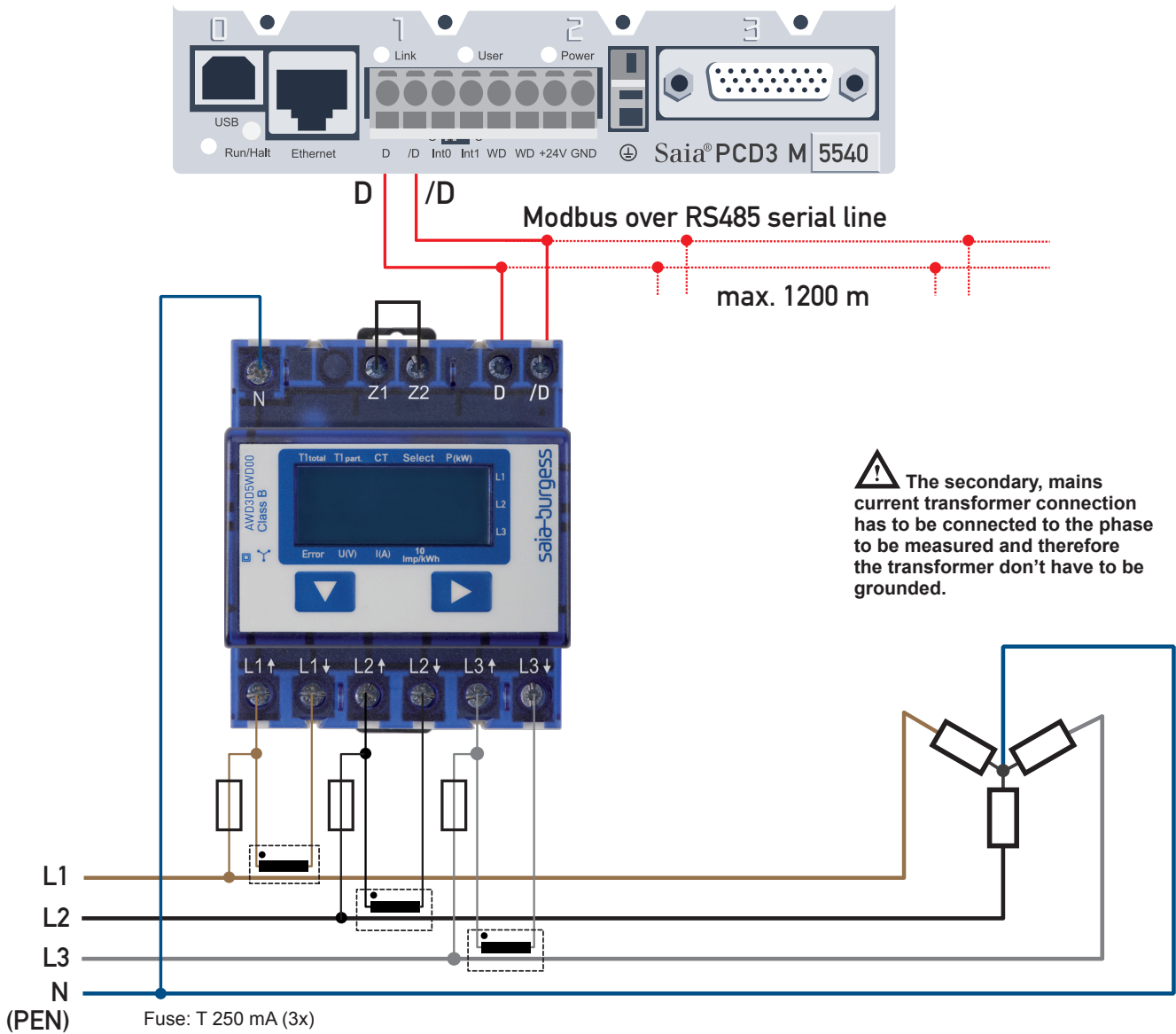
*10 imp/kWh only for standard version

- **T1 total** Indicates total consumption
- **T1 part** Indicates partial consumption
This value can be reset
- **CT** Indicates the setting for the current transformer ratio
- **Select** When bridge Z1-Z2 is open, the transformer ratio can be adjusted under menu item: Select
- **P (kW)** Indicates the instantaneous output per phase or for all phases
- **U (V)** Indicates voltage per phase
- **I (A)** Indicates current per phase
- **10 Imp/kWh** Pulsates according to the amount of used power.
- **kWh** Indicates the unit kWh for display of consumption (only for standard version)
- **L1 / L2 / L3** Whenever the display shows P, U, I or Error, the corresponding phase will be indicated
- **Error** When phase is absent or current direction is wrong. The corresponding phase will also be indicated.

Menu to display the value on LCD



Wiring diagram



Technical data Modbus

Protocol	Modbus RTU according to IDA specification
Bus system	RS485 Serial line
Transmission rate (bps)	1'200-2'400-4'800-9'600-19'200-38'400-57'600-115'200. The transmission Baud rate is automatically detected
Bit settings	8 Data bits, Even parity, 1 Stop bit
Bus cable	Twisted, shielded, 2 × 0.5 mm ² , 1200 m max.
Response time (to system response)	typ. 5 character times max. 60 ms

- The Interface works only if the Phase 1 is connected.
- The communication is ready 30 s after the Power On.
- Refresh Time for the Data is 10 s. Therefore the delay between reads of the same Data should be at least 10 s.
- The use of Energy meters in Bus with intensive communication can increase the data refresh time.
- 247 Devices can be connected to the Modbus. Over 128 Devices, a repeater should be used.
- The Interface don't have a terminal resistor, this should be provided external.
- For the following transmission rate changes a restart of the counter is necessary:
1'200 → 57'600, 1'200 → 115'200 and 2'400 → 115'200.
- For a description of the used Registers please look at the Register Page.

Data transmission

- Only «Read Holding Registers [03]/ Write Multiple Registers [16]» instructions are recognized.
- Up to 20 Registers can be read at a time.
- The device supports broadcast messages.
- In accordance with the Modbus protocol, a register R is numbered as R - 1 when transmitted.
- The device has a voltage monitoring system. In case of voltage loss, registers are stored in EEPROM (transmission rate, etc.)

Exception Responses

- ILLEGAL FUNCTION [01]: The function code is not implemented.
- ILLEGAL DATA ADDRESS [02]: The address of some requested registers is out of range or more than 20 registers have been requested.
- ILLEGAL DATA VALUE [03]: The value in the data field is invalid for the referenced register.

Change the Modbus address direct on device

- To modify the Modbus address, press 3 sec on ► touch
- In menu, ▼ increase address by 10, ► increase by 1
- Once the address is selected wait for the root menu to come back

Registers

For double registers (4–5, 16–17, 28–29, 30–31) the high register is sent first (big_Endian).
The Partial counter (30–31) can be reset by writing 0 in both registers in the same message.

R	Read	Write	Description	Unit
1	X		Firmware-Version	Ex: 11 =FW 1.1
2	X		Modbus com. Number of supported registers	Will give 52
3	X		Modbus com. Number of supported flags	Will give 0
4–5	X		Baudrate	Ex: Baudrate High = 1 Baudrate Low = 49664 $1 \times 65536 + 49664 = 115'200$ bps
6	X		Not Used	Will give 0
7	X		Type / ASN function	Will give «AW»
8	X		Type / ASN function	Will give «D3»
9	X		Type / ASN function	Will give «D5»
10	X		Type / ASN function	Will give «FW»
11	X		Type / ASN function	Will give «00»
12	X		Type / ASN function	Will give «C»
13	X		Type / ASN function	Will give « »
14	X		Type / ASN function	Will give « »
15	X		HW vers. Modif.	Ex: 11 =HW 1.1
16–17	X		Serial number	Unique 32 bit serial number
18	X		Not Used	Will give 0
19	X		Not Used	Will give 0
20	X		Not Used	Will give 0
21	X		Not Used	Will give 0
22	X		Status / Protect	0 = no Problem 1 = problem with last communication request
23	X		Modbus Timeout	ms
24	X	X ¹⁾	Modbus Address	Range 1–247
25	X		Error register	0 : No error 1 : Error Phase 1 2 : Error Phase 2 3 : Error Phase 1 and 2 4 : Error Phase 3 5 : Error Phase 1 and 3 6 : Error Phase 2 and 3 7 : Error Phase 1, 2 and 3
26	X		Current Transformer Ratio	Ex: Transformer 100 / 5 give 20
27	X		Not Used	Will give 0
28–29	X		WT1 total High Counter Energy Total Tariff 1 High	10^{-1} kWh (multiplier 0,1) Ex: WT1 total High = 13 WT1 total Low = 60383 $13 \times 65536 + 60383 = 912351 = 91235.1$ kWh
30–31	X	X	WT1 partial Counter Energy Partial Tariff 1	10^{-1} kWh (multiplier 0,1) Ex: WT1 partial High = 13 WT1 partial Low = 60383 $13 \times 65536 + 60383 = 912351 = 91235.1$ kWh
32	X		Not Used	Will give 0
33	X		Not Used	Will give 0
34	X		Not Used	Will give 0
35	X		Not Used	Will give 0

36	X		URMS phase 1 Effective Voltage of Phase 1	V Ex: 230 = 230 V
37	X		IRMS phase 1 Effective Current of Phase 1	A / Except 5/5 = 10 ⁻¹ A Ex: 314 = 314 A
38	X		PRMS phase 1 Effective active Power of Phase 1	10 ⁻¹ kW (multiplier 0,1) Ex: 1545 = 154,5 kW
39	X		QRMS phase 1 Effective reactive Power of Phase 1	10 ⁻¹ kvar (multiplier 0,1) Ex: 1545 = 154,5 kvar
40	X		cos phi phase 1	10 ⁻² (multiplier 0,01) Ex: 67 = 0,67
41	X		URMS phase 2 Effective Voltage of Phase 2	V Ex: 230 = 230 V
42	X		IRMS phase 2 Effective Current of Phase 2	A / Except 5/5 = 10 ⁻¹ A Ex: 314 = 314 A
43	X		PRMS phase 2 Effective active Power of Phase 2	10 ⁻¹ kW (multiplier 0,1) Ex: 1545 = 154,5 kW
44	X		QRMS phase 2 Effective reactive Power of Phase 2	10 ⁻¹ kvar (multiplier 0,1) Ex: 1545 = 154,5 kvar
45	X		cos phi phase 2	10 ⁻² (multiplier 0,01) Ex: 67 = 0,67
46	X		URMS phase 3 Effective Voltage of Phase 3	V Ex: 230 = 230 V
47	X		IRMS phase 3 Effective Current of Phase 3	A / Except 5/5 = 10 ⁻¹ A Ex: 314 = 314 A
48	X		PRMS phase 3 Effective active Power of Phase 3	10 ⁻¹ kW (multiplier 0,1) Ex: 1545 = 154,5 kW
49	X		QRMS phase 3 Effective reactive Power of Phase 3	10 ⁻¹ kvar (multiplier 0,1) Ex: 1545 = 154,5 kvar
50	X		cos phi phase 3	10 ⁻² (multiplier 0,01) Ex: 67 = 0,67
51	X		PRMS total Effective active Power of all phases	10 ⁻¹ kW (multiplier 0,1) Ex: 1545 = 15,45 kW
52	X		QRMS total Effective reactive power of all phases	10 ⁻¹ kvar (multiplier 0,1) Ex: 1545 = 15,45 kvar

¹⁾ The Modbus Address register is not writable with a broadcast message.

Contact

Switzerland and international

Saia-Burgess Controls Ltd
Bahnhofstrasse 18
CH-3280 Murten / Schweiz
T +41 (0)26 672 72 72
F +41 (0)26 672 74 99
pcd@saia-burgess.com
www.saia-pcd.com

This brochure was received from:

Product Support,
Technical reference website:

www.saia-support.ch